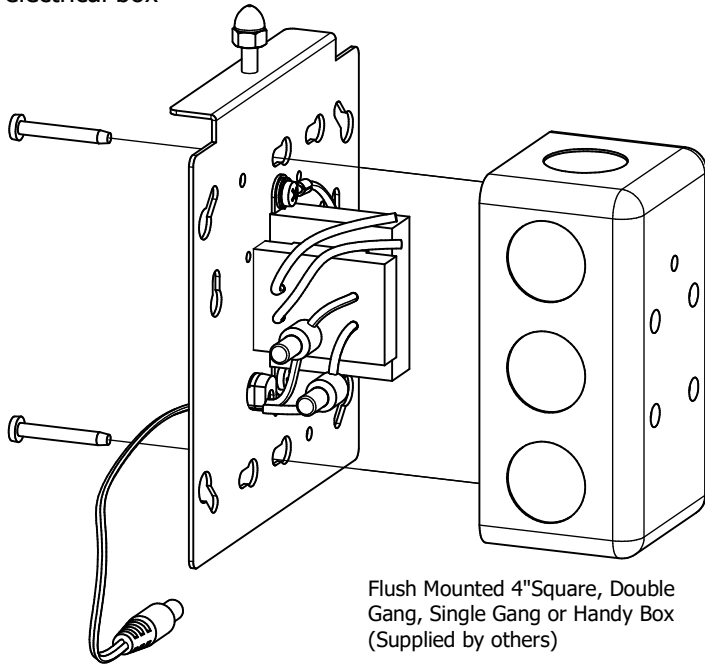
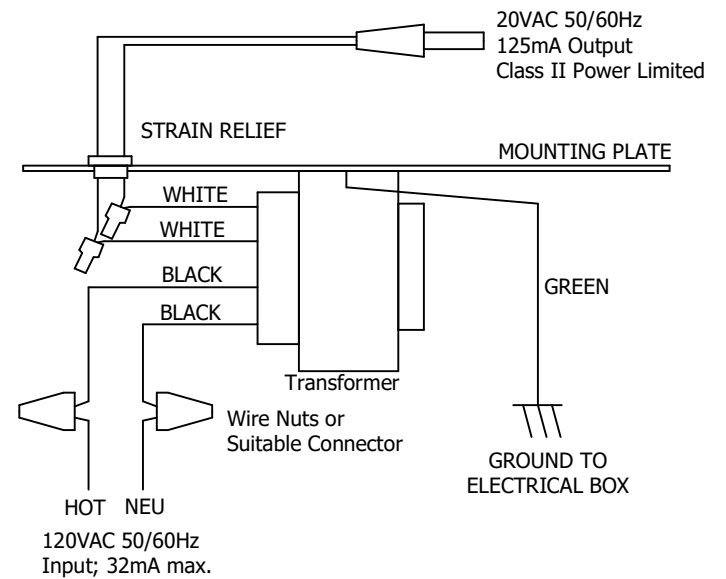



Screws appropriate
for electrical box



Flush Mounted 4" Square, Double
Gang, Single Gang or Handy Box
(Supplied by others)



	TITLE D2.5T-SS-WIFI/D2.5T-BC-AS Installation Instructions		
	P/N D2.5T-SS-WIFI/D2.5T-BC-AS	DWG NO 21048i	REV A
	DRAWN mburke	1/22/2018	SHEET 1 / 1